

NOTES:

1. ALL AXLES, ROLLERS AND PIVOT POINTS ARE EQUIPPED WITH LIFE-TIME LUBRICATED BEARINGS.
2. LIFT TO BE PAINTED AQ STANDARD ENAMEL.
3. MEETS OR EXCEEDS ANSI MH29.1 STANDARDS FOR INDUSTRIAL SCISSORS LIFT.

MODEL NO: _____

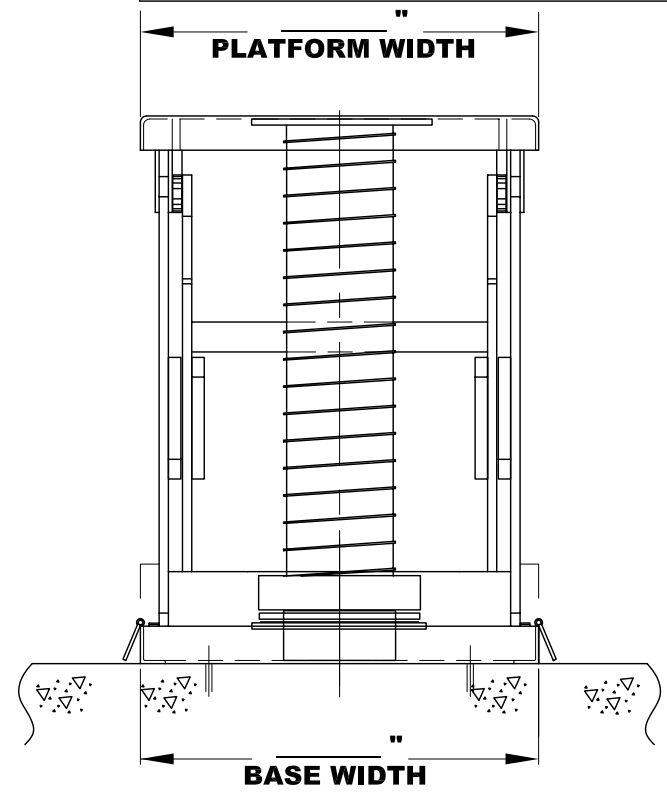
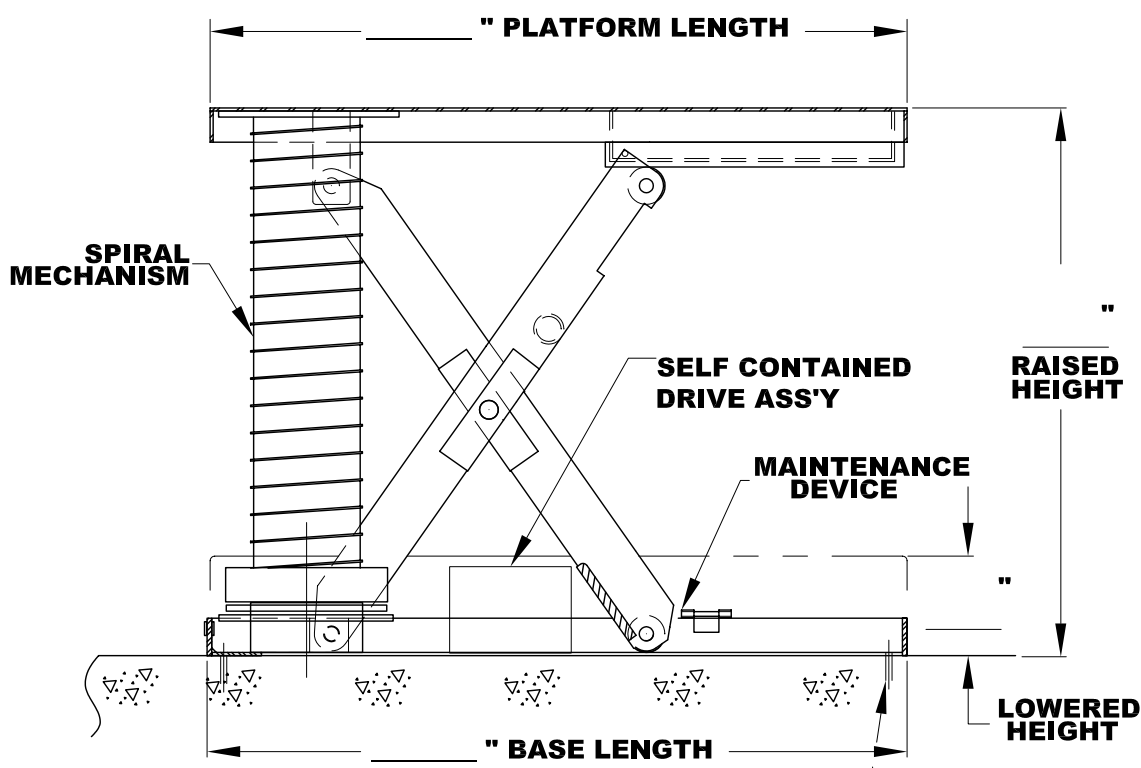
MAX CAPACITY: _____

LOWERED HEIGHT: _____

TRAVEL: _____

RAISED HEIGHT: _____

POWER UNIT, CONTROLS, AND ACCESSORIES PER QUOTATION.



THIS PROPOSAL DRAWING IS GENERIC BY DESIGN AND IS FOR REFERENCE ONLY. PLEASE CONTACT AUTOQUIP FOR JOB SPECIFIC APPROVAL DRAWINGS.

BASE IS PRE-DRILLED FOR LAGGING LIFT SECURELY TO FLOOR.

SPIRALIFT - SURFACE MOUNTED

(NOT TO SCALE)
 PROPOSAL DRAWING
 QUOTE NO. _____
826-0031-0 REV. 3, 5-24-02

© COPYRIGHT RESERVED
 AUTOQUIP CORPORATION
 2002

Autoquip
 AUTOQUIP CORP.
 1058 W.INDUSTRIAL AVE.
 GUTHRIE, OK 73044-1058
 888-811-9876 WWW.AUTOQUIP.COM